

Push-in Modular Emergency Module for LED Batten Luminaires



Overview

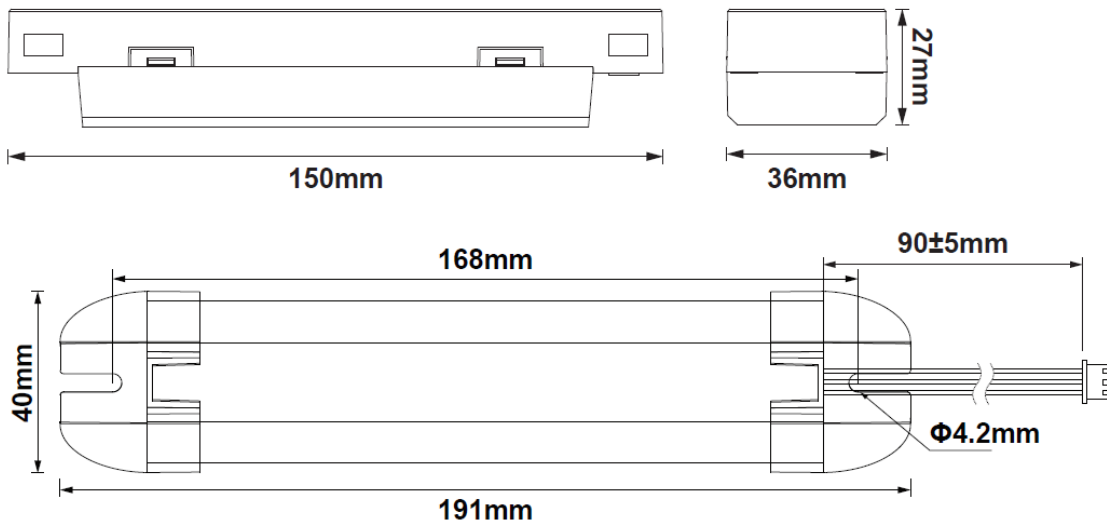
The Emergency Module for LED Batten Luminaires has been designed for easy installation in a range of Kosnic LED batten and LED low bay luminaires. Kosnic LED luminaire datasheet will state if the luminaire is compatible with this model of emergency module. The emergency module is designed to be installed with the quick-fit tabs in the luminaire and includes a flat 4-pin connector for easy connection to the LED light source and status indicator in the luminaire. The emergency module will adjust the output within the module's limits to the level required to operate the luminaire and ensure an operation time of three hours. The emergency module has a replaceable lithium-ion battery.

The Self-Test version of the Emergency Module incorporates AST technology that will perform regular automatic function and duration tests as required by EN 62034, reporting the results via a bi-coloured LED indicator.

Features

- For Kosnic LED battens, LED low bay where specified on the luminaire datasheet
- For maintained or non-maintained emergency lighting systems
- Automatic Self-Test (AST) technology conforming to EN 62034
- Conforms to EN 61347-1 and EN 61347-2-7
- Fast and easy installation with no tool required
- Push in the emergency module to the sockets prefixed to the fitting
- Suitable for use in luminaires for high-risk task area lighting
- Voltage change-over threshold according to EN 60598-2-22
- 3 hours rated duration
- LiFePO4 battery for improved lifespan allowing frequent partial discharge without capacity reduction
- Over-charge, over-current, short-circuit and deep discharge protection for battery
- Status indicator LED provided with Kosnic luminaires

Dimensions



Specifications

Order Code	BEM05	BEM05/ST
Input Voltage	220-240 Vac 50/60 Hz	220-240 Vac 50/60 Hz
Input Current	35 mA	20 mA
Battery Output Wattage (max)	5W	5W
Output Voltage	30-210 Vdc	30-190 Vdc
Output Current	20-115 mA	20-115 mA
Open Circuit Voltage	220 Vdc	200 Vdc
Maximum Working Voltage	220 Vdc	200 Vdc
Protection	IP20, For built-in installation	IP20, For built-in installation
Input to Output Protection	Double Insulation	Double Insulation
Battery	LiFePO4 BAT20LFP4	LiFePO4 BAT20LFP4
Battery Voltage	6.4 V	6.4 V
Battery Capacity	4000 mAh	4000 mAh
Battery Charge Voltage	7.2 Vdc	7.2 Vdc
Battery Charge Current	30-250 mA	30-250 mA
Battery Discharge Voltage	5.8-7.2 Vdc	5.8-7.2 Vdc
Battery Discharge Current	600-700 mA	600-700 mA
Charging Time	24 h	24 h
Battery Life	4 Years	4 Years
Emergency Conversion Time	1 s	1 s
Emergency Operation Time	>3 h	>3 h
Test Function	Manual	Automatic and Manual
Length x Width x Depth	150 x 36 x 27 mm	150 x 36 x 27 mm
Weight	277 g	281 g
Maximum Case Temperature	75 °C	75 °C
Ambient Temperature Range	0 to 45 °C	0 to 45 °C

Notes: Compatibility with luminaires should be verified before committing to an installation. Not suitable for use on a battery supply with a trickle or intermittent re-charging circuit. The emergency module is not protected against supply voltage polarity reversal.